

VersaView 6300 Industrial PCs and Thin Clients Specifications

Catalog Numbers 6300B, 6300P, 6300T

Topic	Page
Overview	1
VersaView 6300 Industrial PCs and Thin Clients	2
Bezel Types	3
VersaView 6300B-BMxx Compact Box PCs	7
VersaView 6300B-BMBx Performance and Advanced Book Mount Box PCs	11
VersaView 6300B-PBCx Performance Wall Mount Box PCs – Fanless	14
VersaView 6300B-PBDx Performance and Advanced Wall Mount Box PCs – Fan Cooled	17
VersaView 6300P Panel PCs	20
VersaView 6300T-BAx1 Compact Box Thin Clients	26

Overview

This publication provides technical specifications, environmental specifications, certifications, and dimension drawings for the Allen-Bradley® VersaView 6300 portfolio of industrial computers and thin clients from Rockwell Automation.

Use this document with the Visualization Solutions Selection Guide, publication [VIEW-SG001](#), to make initial decisions on the visualization products that are best suited for your system requirements.



VersaView® 6300B-BMxx Compact Box PCs and 6300T-BAx1 Compact Box Thin Clients



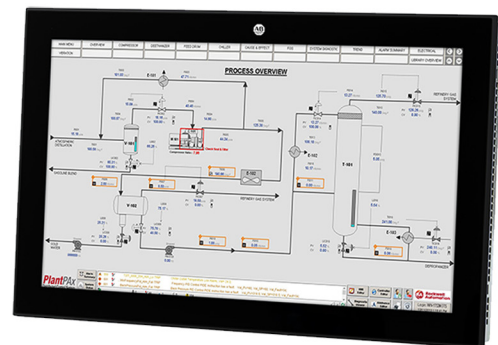
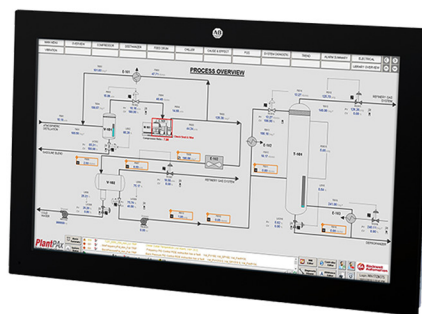
VersaView 6300B-BMBx Performance and Advanced Book Mount Box PCs



VersaView 6300B-PBCx Performance Wall Mount Box PCs - Fanless



VersaView 6300B-PBDx Performance and Advanced Wall Mount Box PCs - Fan Cooled



VersaView 6300P Panel PCs

VersaView 6300 Industrial PCs and Thin Clients

The Allen-Bradley VersaView 6300 industrial computers (PCs) offer solutions for the physical limitations and requirements of your industrial environment. VersaView 6300B and 6300P PCs provide various options in form factors, RAM, storage, performance, operating temperatures, and storage drives. VersaView 6300P panel PCs are available in different display sizes.

VersaView 6300T thin clients are for the server-client architecture, where centrally managed content delivery is preferred. Therefore, these models do not use hard disk drives or operating systems. VersaView 6300T models are ready to run on ThinManager® software.

Some of the VersaView 6300 PCs can be paired with FactoryTalk® View SE software for optimal Human Machine Interface (HMI) within the Rockwell Automation® Connected Enterprise.

VersaView 6300B Compact Box PCs



Cat. No. 6300B-BMxx

Our most compact box PC line. They are for fanless (24V DC) applications, and feature Intel Atom processors.

For a quick comparison, see [page 4](#).

For more details, see [page 7](#).

VersaView 6300B Performance and Advanced Book Mount Box PCs




Cat. No. 6300B-BMBx

These box PCs are for mid-size applications with more expandability. They are for fanless (24V DC) applications, and feature Intel Core processors.

For a quick comparison, see [page 4](#).

For more details, see [page 11](#).

VersaView 6300B Performance Wall Mount Box PCs - Fanless




Cat. No. 6300B-PBCx

An expandable line of the wall mount box PCs. They are for fanless (24V DC) applications, and feature Intel Core processors.

For a quick comparison, see [page 4](#).

For more details, see [page 14](#).

VersaView 6300B Performance and Advanced Wall Mount Box PCs - Fan Cooled



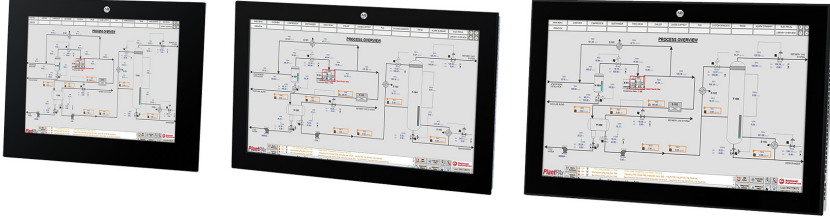
Cat. No. 6300B-PBDx

These wall mount box PCs are for mid-size applications with more expandability. They are available for 100/230V AC applications with fans, and feature Intel Core processors.

For a quick comparison, see [page 4](#).

For more details, see [page 17](#).

VersaView 6300P Panel PCs



Cat. Nos. 6300P-xxxFAPS and -xxxECPM

The VersaView 6300P panel PCs with Intel Celeron processors are a complete portfolio of open architecture industrial PCs. These panel PCs are available in various display sizes and resolutions, and as single or multi-touch displays.

For the available bezel types, see [page 3](#).

For a quick comparison, see [page 5](#).

For more details, see [page 20](#).

Cat. Nos. 6300P-xxxAAPS, -xxxBAPS, and -xxxACPM


The VersaView 6300P panel PCs with Intel Core processors are a complete portfolio of open architecture industrial PCs. These panel PCs are available in various display sizes and resolutions, and as single or multi-touch displays.

For the available bezel types, see [page 3](#).

For a quick comparison, see [page 5](#).

For more details, see [page 20](#).

VersaView 6300T Compact Box Thin Clients



Cat. No. 6300T-BAx1

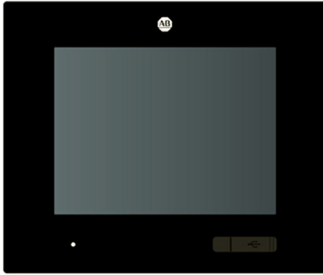
All VersaView 6300T thin clients are ThinManager software ready, which means they are shipped without storage drives or operating systems. Thin clients feature Intel Atom processors.

For a quick comparison, see [page 6](#).

For more details, see [page 26](#).

Bezel Types

VersaView 6300P panel PCs are available in various bezel types. Display sizes and availability depend on computer type and performance.



Standard Aluminum with USB port
Available in 8.4...19 in. Display Sizes
4:3 and 5:4 Display Ratios
Analog Resistive Touch Screen



Aluminum-glass True Flat with USB port
Available in 8.4...19 in. Display Sizes
4:3 and 5:4 Display Ratios
Analog Resistive Touch Screen



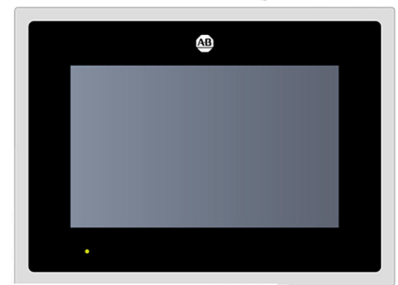
Stainless Steel True Flat
Available in 12.1...19 in. Display Sizes
4:3 and 5:4 Display Ratios
Analog Resistive Touch Screen



Low Profile Standard Aluminum
Available in 7...24 in. Display Sizes
15:9, 16:10, and 16:9 Display Ratios
Analog Resistive Touch Screen







Aluminum-glass True Flat
Available in 7...24 in. Display Sizes
15:9 and 16:9 Display Ratios
Projected Capacitive (PCAP) Multi-touch Screen



Hygienic Stainless Steel
Available in 7...24 in. Display Sizes
15:9 and 16:9 Display Ratios
Analog Resistive Touch Screen

Table 1 - VersaView 6300B Box PCs Quick Comparison

	VersaView 6300B Compact Box PCs		VersaView 6300B Performance and Advanced Book Mount Box PCs	VersaView 6300B Performance Wall Mount Box PCs – Fanless	VersaView 6300B Performance and Advanced Wall Mount Box PCs – Fan Cooled
					
Attribute	Cat. No. 6300B-BMAx	Cat. No. 6300B-BMFx	Cat. No. 6300B-BMBx	Cat. No. 6300B-PBCx	Cat. No. 6300B-PBDx
Dimensions (W x H x D)	See page 9 .	See page 10 .	See page 13 .	See page 16 .	See page 19 .
Available processors	<ul style="list-style-type: none"> • Intel Atom x7-E3950 		<ul style="list-style-type: none"> – 		
• Compact	–		–		
• Performance	–		<ul style="list-style-type: none"> • Intel Core i3-7100E • Intel Core i5-7440EQ 	<ul style="list-style-type: none"> • Intel Core i3-7100E 	<ul style="list-style-type: none"> • Intel Core i3-7101E
• Advanced	–		<ul style="list-style-type: none"> • Intel Core i7-7820EQ 	<ul style="list-style-type: none"> • Intel Core i7-7820EQ 	<ul style="list-style-type: none"> • Intel Core i7-7700
Operating system	Microsoft Windows 10 IoT Enterprise LTSC 2019 64 bit ⁽¹⁾				
Available solid-state drive (SSD) storage	<ul style="list-style-type: none"> – M.2 2242, SATA III, 3D TLC, 240 GB SSD connected on board 		<ul style="list-style-type: none"> – 2.5 in., SATA III, 3D TLC/128 GB...1 TB – mSATA, SATA III, 3D TLC/120...960 GB 		<ul style="list-style-type: none"> – 2.5 in., SATA III, 3D TLC/128 GB...1 TB
• SSD slot 1	– Available types/sizes		– Available types/sizes		– Available types/sizes
• SSD slot 2	– None		– 2.5 in., SATA III, 3D TLC/128 GB...1 TB		– 2.5 in., SATA III, 3D TLC/128 GB...1 TB
• SSD slot 3 (CFast)	– None		<ul style="list-style-type: none"> – CFast, SATA III, MLC/16 GB...128 GB – CFast, SATA III, 3D TLC/30...240 GB 		<ul style="list-style-type: none"> – CFast, SATA III, MLC/16 GB...128 GB – CFast, SATA III, 3D TLC/30...240 GB
• SSD slot 4 (M.2)	– None		– None		<ul style="list-style-type: none"> – M.2 2242, PCIe x2, 3D TLC/128...512 GB – M.2 2280, NVMe PCIe x4, 3D TLC/256 GB...1 TB
Memory type	LP-DDR4-2400 DIMM		LP-DDR4-2400 DIMM	DDR4-2400 SODIMM	DDR4-2400 SODIMM
– Memory configuration	– Soldered on board		– Removable	– Removable	– Removable
– Memory slots	– 0		– 2	– 2	– 2
– Available sizes	– 4 GB/8 GB		– 4 GB/8 GB/16 GB/32 GB	– 4 GB/8 GB/16 GB/32 GB	– 4 GB/8 GB/16 GB/32 GB
I/O connections	See page 9 .	See page 10 .	See page 13 .	See page 16 .	See page 19 .
Expansion slots ⁽²⁾	None available		<ul style="list-style-type: none"> • None • 1 x PCI half-size + 1 x PCIe x4 • 2 x PCIe x4 	<ul style="list-style-type: none"> • None • 1 x PCI half-size • 1 x PCIe x4 	<ul style="list-style-type: none"> • None • 1 x PCIe x16 • 1 x PCIe x16 + 1 x PCIe x4 + 1 x PCIe x1
Mounting options	<ul style="list-style-type: none"> • Book⁽³⁾ • Wall • DIN Rail 		Book	Wall	
Input voltage	24V DC				100/230V AC
Fan or fanless	Fanless				Fan
Operating temperature range	0...50 °C (32...122 °F)		0...50 °C (32...122 °F) ⁽⁴⁾		
For more information	See page 7 .		See page 11 .	See page 14 .	See page 17 .

(1) All VersaView 6300B box PCs are ThinManager software compatible.
 (2) Expansion slots are optional; the default selection is none.
 (3) Unless ordered differently, the book mount bracket is factory-installed and supplied.
 (4) The Intel Core i7 processor throttles above 45 °C (113 °F) when the CPU is heavily loaded.

Table 2 - VersaView 6300P Panel PCs Quick Comparison

VersaView 6300P Panel PCs					
Attribute	6300P-xxxFAPS	6300P-xxxECPM	6300P-xxxAAPS	6300P-xxxBAPS	6300P-xxxACPM
Dimensions (W x H x D)	See page 24 .				
Available processors • Performance • Advanced	• Intel Celeron G3900E		• Intel Core i3-7100E • Intel Core i5-7440EQ • Intel Core i7-7820EQ		
Operating system	Microsoft Windows® 10 IoT Enterprise LTSC 2019 64 bit ⁽¹⁾				
Available display sizes	12.1 in./15 in./17 in./19 in.	15.6 in./18.5 in./21.5 in./24 in.		12.1 in./15 in./17 in./19 in.	15.6 in./18.5 in./21.5 in./24 in.
Available bezel materials	Standard aluminum	Aluminum-glass True Flat		Standard aluminum	Aluminum-glass True Flat
Available touch screens	Resistive touch screen	PCAP multi-touch screen		Resistive touch screen	PCAP multi-touch screen
Available solid-state drive (SSD) storage • SSD slot 1 - Available types/sizes • SSD slot 2 - Available types/sizes • SSD slot 3 (CFast) - Available types/sizes	<ul style="list-style-type: none"> - 2.5 in., SATA III, 3D TLC/128 GB...1 TB - mSATA, SATA III, 3D TLC/120...960 GB - 2.5 in., SATA III, 3D TLC/128 GB...1 TB - CFast, SATA III, MLC/16 GB...128 GB - CFast, SATA III, 3D TLC/30...240 GB 				
Memory type - Memory configuration - Memory slots - Available sizes	DDR4-2400 SODIMM - Removable - 2 - 4 GB/8 GB/16 GB/32 GB				
I/O connections	See page 25 .				
Expansion slots ⁽²⁾	<ul style="list-style-type: none"> • None • 1 x PCI half-size • 1 x PCIe x4 				
Mounting options	Panel				
Input voltage	24V DC				
Fan or fanless	Fanless				
Operating temperature range	0...50 °C (32...122 °F) ⁽³⁾				
For more information	See page 20 .				

(1) All VersaView 6300P panel PCs are ThinManager software compatible.

(2) Expansion slots are optional; the default selection is none.

(3) The Intel Core i7 processor throttles above 45 °C (113 °F) when the CPU is heavily loaded.

VersaView 6300T Thin Clients Quick Comparison



Attribute	Cat. No. 6300T-BAx1
Dimensions (W x H x D)	See page 27 .
Available processors • Compact	<ul style="list-style-type: none"> • Intel Atom x7-E3950
Operating system	ThinManager software ready
Memory type - Memory configuration - Memory slots - Available sizes	LP-DDR4-2400 DIMM - Soldered on board - 0 - 4 GB
I/O connections	See page 27 .
Expansion slots	None
Mounting options	<ul style="list-style-type: none"> • Book⁽¹⁾ • Wall • DIN Rail
Input voltage	24V DC
Fan or fanless	Fanless
Operating temperature range	0...50 °C (32...131 °F)
For more information	See page 26 .

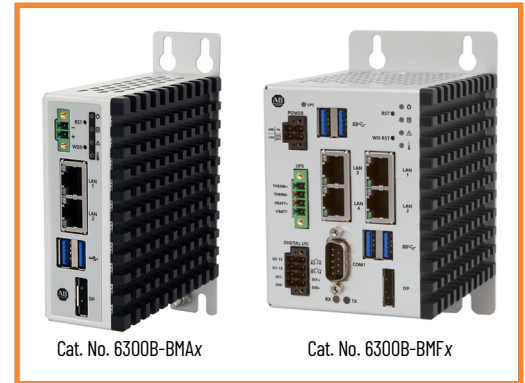
(1) Unless ordered differently, the book mount bracket is factory-installed and supplied.

VersaView 6300B-BMxx Compact Box PCs

The Allen-Bradley VersaView 6300B-BMxx compact box PCs have a fanless design, which is optimal for applications that require low maintenance. These box PCs feature Intel Atom (Apollo Lake) processors.

Computer Specifications

Total system power consumption cannot exceed 24 W for Cat. No. 6300B-BMAx and 40.8 W for Cat. No. 6300B-BMFx. The following values exclude any externally connected USB devices.



Standard Features		6300B-		Power Consumption [W], Max
		BMAx	BMFx	
Available processors and RAM memory	• Processor: Intel Atom x7-E3950 • 1.6 GHz (2 GHz Burst) • 2 MB smart cache • 4 cores, 4 threads • 1 x 4 GB LP-DDR4-2400 DIMM RAM soldered on board	•		11.9 ⁽¹⁾
	• Processor: Intel Atom x7-E3950 • 1.6 GHz (2 GHz Burst) • 2 MB smart cache • 4 cores, 4 threads • 1 x 8 GB LP-DDR4-2400 DIMM RAM soldered on board	•	•	12.8 ⁽¹⁾
Expansion slots	No expansion slots	•	•	—
Mounting	Book ⁽²⁾	•	•	—
	DIN Rail	•	•	
	Wall	•		
Optional Features				
Solid-state drive (SSD) M.2	No SSD	•	•	—
	M.2 2242, SATA III, 3D TLC, 240 GB SSD connected on board	•	•	2
DisplayPort/DVI cables and adapters ⁽²⁾	Two-cable kit, both 5 m (16.4 ft) long: • Passive DisplayPort-to-DVI-D adapter cable with ferrite beads • Passive DisplayPort-to-USB 2.0 adapter cable with ferrite beads	•	•	—

(1) Power consumption values include the motherboard.

(2) Unless ordered differently, the book mount bracket is factory-installed and supplied.

Computer Specifications (continued)

Technical Specifications		6300B-	
		BMAx	BMFx
Overall dimensions	See page 9	•	
	See page 10		•
Weight, approximate	<ul style="list-style-type: none"> Only the computer⁽¹⁾: 0.4 kg (0.88 lb) Computer with packaging: 0.6 kg (1.32 lb) 	•	
	<ul style="list-style-type: none"> Only the computer⁽¹⁾: 0.6 kg (1.32 lb) Computer with packaging: 1.25 kg (2.76 lb) 		•
Input voltage	24V DC isolated input voltage 18...32V DC	•	•
Operating System ⁽²⁾⁽³⁾	Microsoft Windows 10 IoT Enterprise 2019 64 bit	•	•
Video controller	Intel HD Graphics 500 integrated into Intel Atom x5-E3930 microprocessors • 400 MHz/550 MHz		•
	Intel HD Graphics 505 integrated into Intel Atom x7-E3950 microprocessor • 500 MHz/650 MHz	•	
Video RAM (shared)	Dynamic Video Memory Technology • Operating system selects memory quantity automatically	•	•
System memory	1 x LP-DDR4-2400 DIMM module • Soldered on board • Min 4 GB • Max 8 GB	•	•
Mass storage	1 x connector onboard for direct insertion of M.2 2242, SATA III, 3D TLC, 240 GB SSD	•	•
Front signaling light-emitting diode (LEDs)	Power ON • SSD activity • Over temperature/battery fault • Watchdog	•	•
Front buttons	System reset • Watchdog reset	•	•
Front access interfaces ⁽⁴⁾	4 x Ethernet 10/100/1000 Mbps (RJ45)		•
	2 x Ethernet 10/100/1000 Mbps (RJ45)	•	
	4 x USB 3.0 (Type A)		•
	2 x USB 3.0 (Type A)	•	
	1 x DisplayPort™+++ v1.2 (max resolution: 4096 x 2160 @ 60 Hz)	•	•
	1 x RS-232 serial port (DB9M)		•
	Digital input (2 x 0...24 V, 500V isolated)		•
	Digital output (2 x N.O. max, 200 mA@24V DC)		•
Environmental Specifications			
Surrounding air temperature range	0...50 °C (32...122 °F)	•	•
Storage temperature	-10...+60 °C (14...140 °F)	•	•
Relative humidity	20...90% noncondensing at 0...40 °C (32...104 °F), and 20...80% noncondensing at 41...50 °C (105...122 °F)	•	•
Shock, operating/non-operating ⁽⁵⁾	<ul style="list-style-type: none"> Book mount Wall mount Book and wall mount 	•	•
Vibration, operating and nonoperating	0.012 in. p-p, 10...57 Hz, 2 g peak, 57...640 Hz	•	•
Ingress protection rating	IP65	•	•
Certifications			
Approvals	<ul style="list-style-type: none"> CE (EN 61010-2-201, EN 61326-1, EN 50581) cULus Listed (UL 61010-1, UL 61010-2-201, CSA C22.2 No. 61010-1, CSA C22.2, No. 61010-2-201) Morocco RCM UKCA For more information, visit rok.auto/literature and use 6300-CT as your search term.	•	•

(1) Weight applies to the VersaView 6300B-BMxx compact box PCs with any mounting bracket installed.

(2) Rockwell Automation has not certified other operating systems such as Linux, Wind River VxWorks, and BlackBerry QNX but the Intel platform supports them after verification of compatibility.

(3) All VersaView 6300B-BMxx compact box PCs are ThinManager software compatible.

(4) Wattage values for any externally connected USB devices must be considered for the 120 W maximum system power consumption.

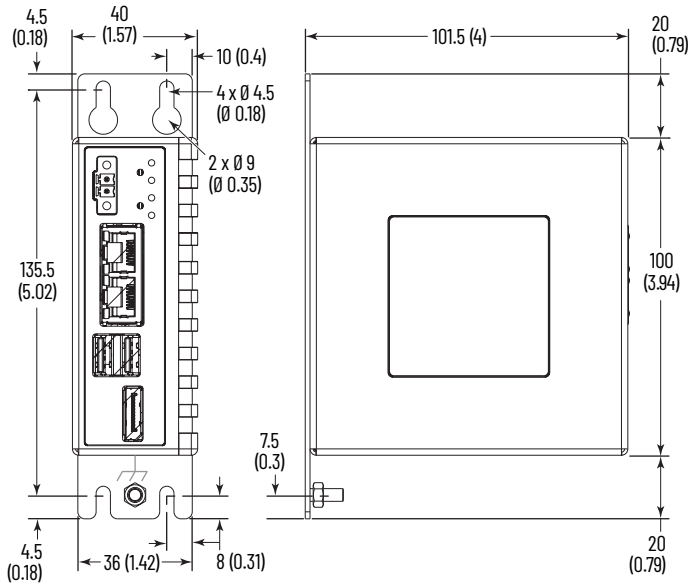
(5) The DIN Rail mounting method is not recommended for high shock environments.

Computer Dimensions and Connections

Cat. No. 6300B-BMxx Dimensions and Connections

Dimensions are in millimeters (inches). Dimensions are not intended to be used for manufacturing purposes.

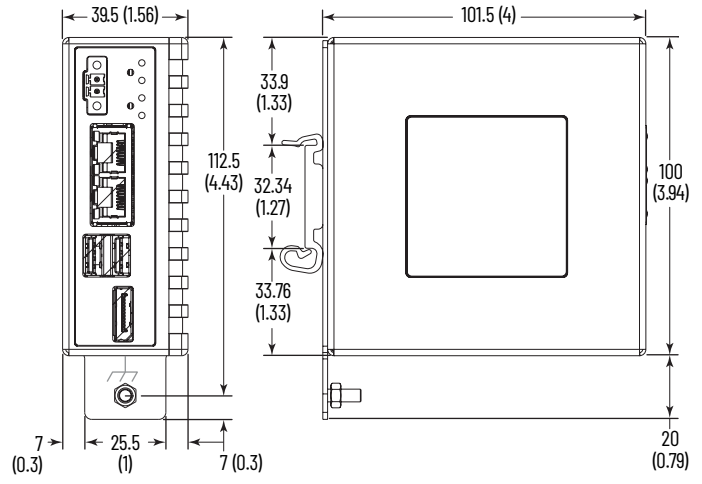
With Book Mount Bracket



Front View
Vertical (Upright) Position

Side View

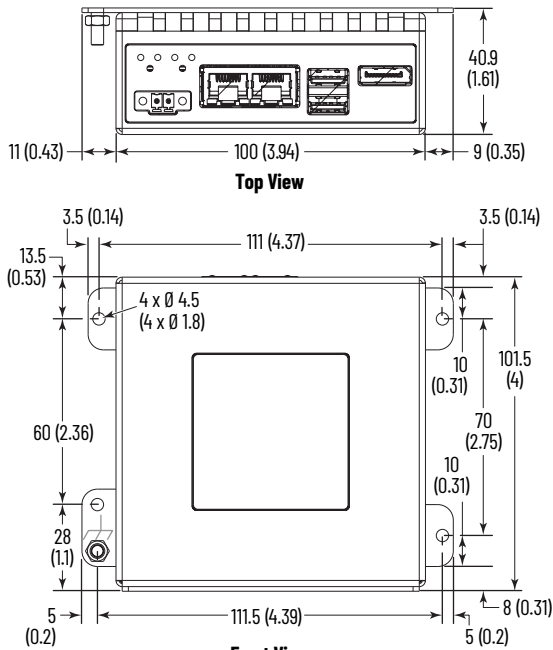
With DIN Rail Mount Bracket



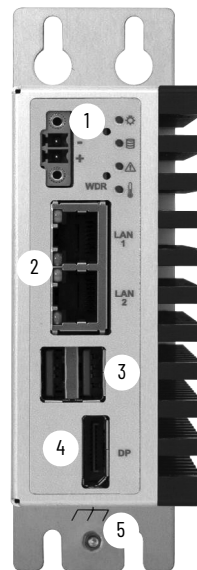
Front View
Vertical (Upright) Position

Side View

With Wall Mount Bracket



Front View
Vertical (Upright) Position



Peripheral Connections

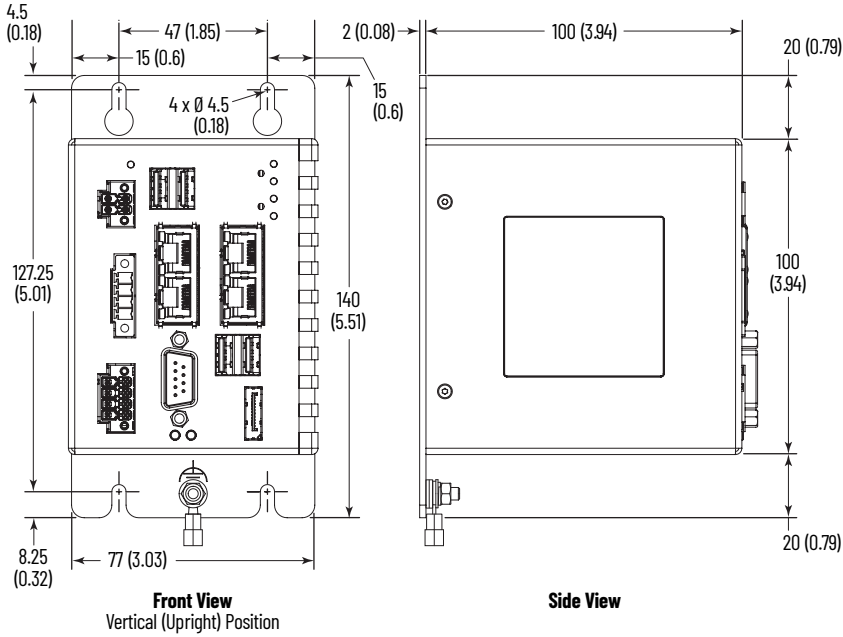
No.	Description
1	24V DC power input connection
2	2 x Ethernet LAN port
3	2 x USB 3.0 (Type A) port
4	DisplayPort video output
5	Ground (earth) screw

Computer Dimensions and Connections (continued)

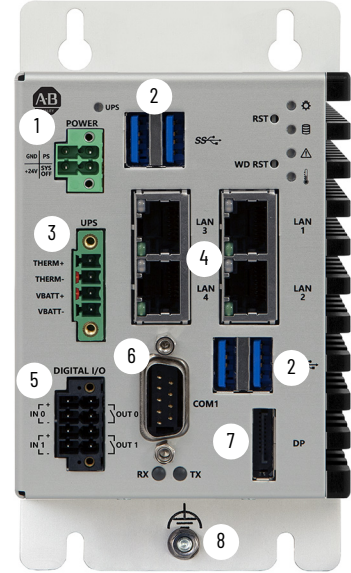
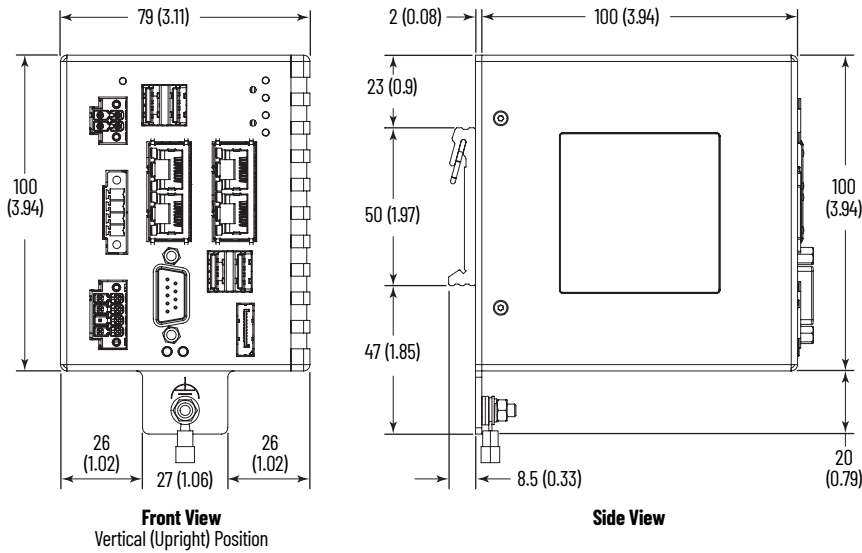
Cat. No. 6300B-BMxx Dimensions and Connections

Dimensions are in millimeters (inches). Dimensions are not intended to be used for manufacturing purposes.

With Book Mount Bracket



With DIN Rail Mount Bracket



Peripheral Connections

No.	Description
1	24V DC power input connection
2	4 x USB 3.0 (Type A) port
3	UPS power input connection
4	4 x Ethernet LAN port
5	Digital input/output connection
6	RS-232 serial port (DB9M)
7	DisplayPort video output
8	Ground (earth) screw

VersaView 6300B-BMBx Performance and Advanced Book Mount Box PCs

The Allen-Bradley VersaView 6300B-BMBx box PCs with Intel Core processors are fanless and for mid-size applications. The top interfaces are for cabling, which helps reduce installation space and provides protection against accidental cable disconnection. The light-emitting diodes (LEDs) on the front interface provide better visibility to signals and warnings, and there is a front door that provides quick access to removable storage.



Computer Specifications

Total system power consumption cannot exceed 120 W. The following values exclude any externally connected USB devices.

Standard Features		Power Consumption [W], Max
Available processors • Performance	Intel Core i3-7100E • 2.9 GHz • 3 MB smart cache • 2 cores, 4 threads • 1 x 4 GB module SODIMM DDR4-2400	34 ⁽¹⁾
	Intel Core i5-7440EQ • 2.9 GHz (3.6 GHz Turbo) • 6 MB smart cache • 4 cores, 4 threads • 1 x 4 GB module SODIMM DDR4-2400	65 ⁽¹⁾
	Intel Core i7-7820EQ • 3 GHz (3.7 GHz Turbo) • 8 MB smart cache • 4 cores, 8 threads • 1 x 4 GB module SODIMM DDR4-2400	69 ⁽¹⁾
• Advanced	8 GB • 2 x 4 GB modules SODIMM DDR4-2400	1
	16 GB • 2 x 8 GB modules SODIMM DDR4-2400	2
	32 GB • 2 x 16 GB modules SODIMM DDR4-2400	
Internal uninterruptible power supply (UPS)	Without UPS	—
	With UPS integrated in power supply section • Battery kit not included ⁽²⁾	0.7
Expansion slots	No expansion slots	—
	2 x PCIe x4 format (Generation 3), both with Intel HM170 PCH chipset	3.1 ⁽³⁾
	1 x PCIe x4 plus 1 x PCI half-size card (106 x 175 mm)	
Mounting	Book; mounting bracket is factory-installed	—
Optional Features		
Trusted Platform Module (TPM)	No TPM	—
	Firmware TPM 2.0 ⁽⁴⁾	0.1
Available solid-state drive (SSD) storage/sizes	No SSD ⁽⁵⁾	—
	2.5 in., SATA III, 3D TLC/128 GB...1 TB	3
	mSATA, SATA III, 3D TLC/120...960 GB	
Available CFast storage/sizes	SATA III, MLC/16 GB...128 GB	1.3
	SATA III, 3D TLC/30...240 GB	
Additional communication ports ⁽⁶⁾	1 x RS232/422/485 serial port (DB15M) • 1 x USB 2.0 port ⁽⁷⁾	1
	1 x RS232/422/485 isolated serial port (DB15M) • 1 x USB 2.0 port ⁽⁷⁾	
	2 x RS-232 serial ports (DB9M) ⁽⁷⁾	
	2 x USB 2.0 ports ⁽⁷⁾	
	1 x Ethernet 10/100/1000 Mbps, Intel I210 ⁽⁸⁾	
Long-distance video ⁽⁴⁾	1 x additional video output • Remotation up to 100 m of DVI-D and USB 2.0 signals • Without cables ⁽⁸⁾	2.7
	2 x additional video output • Remotation up to 100 m of DVI-D and USB 2.0 signals • Without cables ⁽⁸⁾	5.4
UPS battery kit ⁽⁶⁾	Battery kit for detached wall mounting • Cable included	15 ⁽⁹⁾

(1) Power consumption value includes the motherboard.

(2) UPS functionality is only with Microsoft Windows 32/64 bit operating systems.

(3) Maximum consumption for all expansion cards is 5 W.

(4) Not for sale in China and Russia.

(5) Includes an SSD/hard disk drive (HDD) installation kit that is shipped with the computer.

(6) Available as a future option.

(7) These items cannot be ordered together.

(8) Communication ports with this footnote cannot be installed together. Microsoft Windows 10 can manage only three video outputs.

(9) This wattage value is based on an external power supply source. All other wattage values are internal.

Computer Specifications (continued)

Technical Specifications	
Case	Anodized aluminum
Dimensions	See Computer Dimensions on page 13
Weight, approximate	<ul style="list-style-type: none"> • Only the computer: 4 kg (8.82 lb) • Computer with packaging: 5.3 kg (11.7 lb)
Power supply	24V DC isolated input voltage 18...32V DC 100/230V AC autoranging
UPS (optional)	12V DC UPS battery backup system Battery module: Pb, 12V/13 A max, 2500 mAh • Charge time 3 h @ 25° C (77 °F) • Discharge time 5 h @ 13 A and 25° C (77 °F) • Lifetime 10 years @ 25° C (77 °F)
Operating System ⁽¹⁾⁽²⁾	<ul style="list-style-type: none"> • Microsoft Windows 10 IoT Enterprise 2019 64 bit • No operating system
Video controller	<ul style="list-style-type: none"> • Intel HD Graphics 630 integrated into Intel Core i3 and i5 microprocessors • 350 MHz/1.1 GHz • Intel HD Graphics 630 integrated into Intel Core i7 microprocessor • 350 MHz/1.15 GHz
Video RAM (shared)	Dynamic Video Memory Technology • Operating system selects memory quantity automatically
System memory	DDR4-2400 type • 2 SODIMM modules • Min 4 GB • Max 32 GB
RAID controller	Integrated into chip Intel HMI75 PCH • Raid 0, 1
Mass storage configurations	<ul style="list-style-type: none"> • 1 x mSATA SSD SATA III and 1 x 2.5 in. SSD SATA III on board with internal installation kit • 2 x 2.5 in. SSD SATA III on board with internal installation kit
CFast slot	1 x bootable CFast SATA slot on board with external front access
Expansion slots	
Top access interfaces	See Computer Connections on page 13
Front access interfaces	
Environmental Specifications	
Surrounding air temperature range	0...50 °C (32...122 °F) ⁽³⁾
Storage temperature	-20...+60 °C (-4...+140 °F)
Relative humidity	20...90% noncondensing at 0...40 °C (32...104 °F), and 20...80% noncondensing at 41...50 °C (105...122 °F)
Shock	<ul style="list-style-type: none"> • Operating • Nonoperating
	<ul style="list-style-type: none"> • 10 g (1/2 sine, 11 ms) • 15 g (1/2 sine, 11 ms)
Vibration, operating and nonoperating	0.0015 in. p-p, 10...57 Hz, 0.25g peak, 57...640 Hz
Ingress protection rating	IP65
Certifications	
Approvals	<ul style="list-style-type: none"> • CE (EN 61010-2-201, EN 61326-1, EN 50581) • cULus Listed (UL 61010-1, UL 61010-2-201, CSA C22.2 No. 61010-1, CSA C22.2, No. 61010-2-201) • Morocco • RCM • UKCA <p>For more information, visit rok.auto/literature and use 6300-CT as your search term.</p>

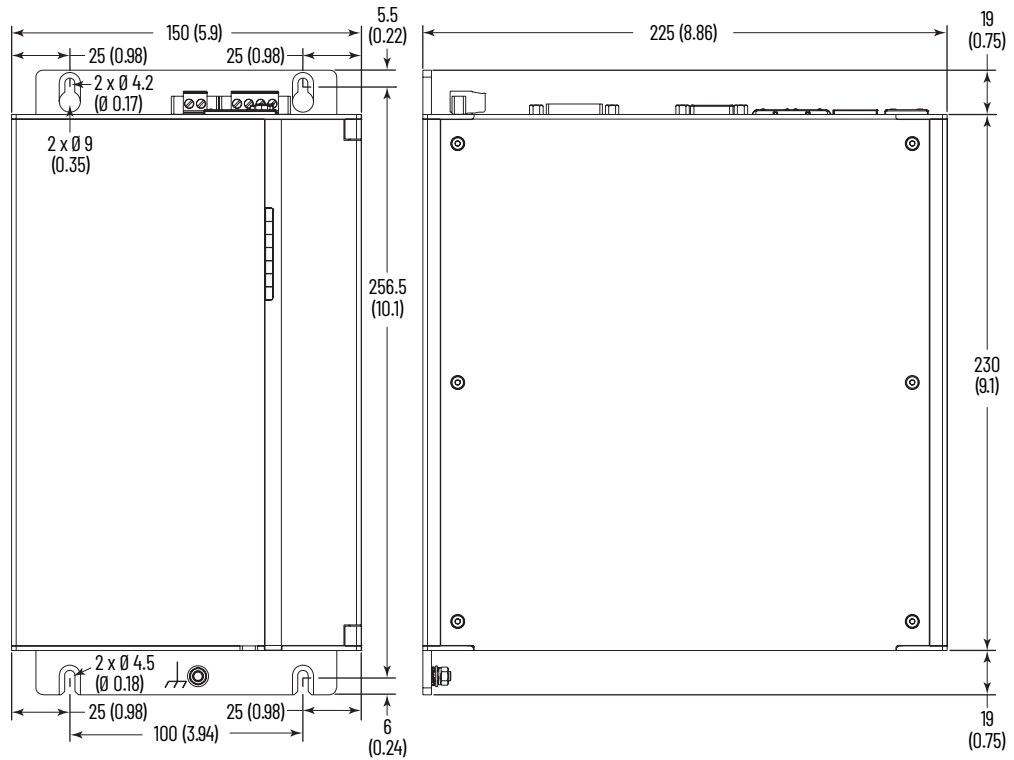
(1) Rockwell Automation has not certified other operating systems such as Linux, Wind River VxWorks, and BlackBerry QNX but the Intel platform supports them after verification of compatibility.

(2) All VersaView 6300B-BMBx box PCs are ThinManager software compatible.

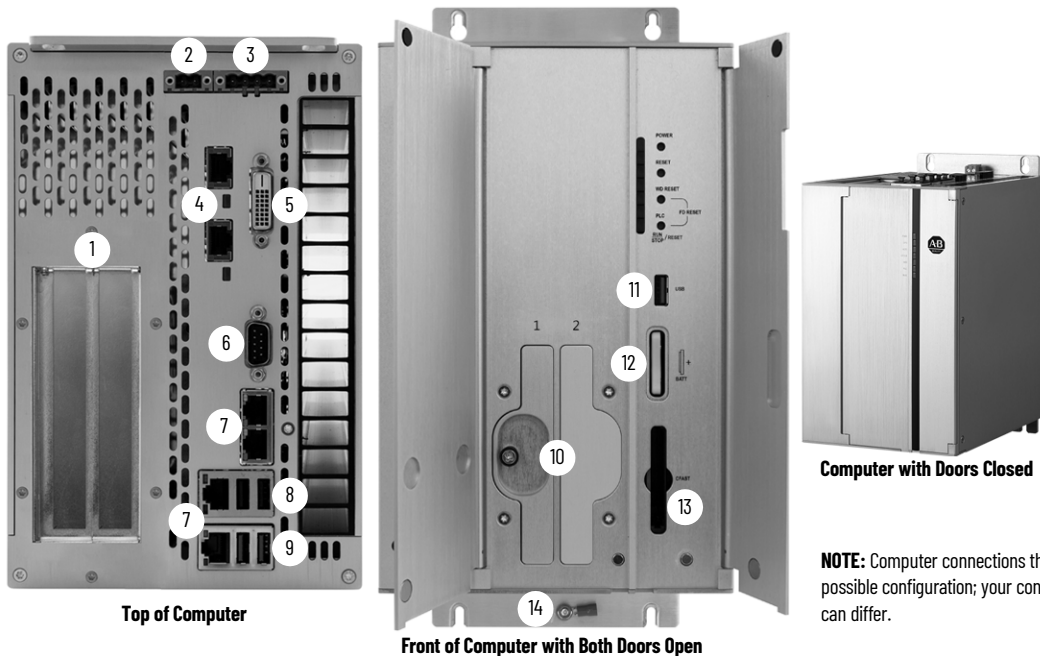
(3) The Intel Core i7 processor throttles above 45 °C (113 °F) when the CPU is heavily loaded.

Computer Dimensions

Dimensions are in millimeters (inches).
Dimensions are not intended to be used for manufacturing purposes.



Computer Connections



Top of Computer

Front of Computer with Both Doors Open

Computer with Doors Closed

NOTE: Computer connections that are shown are a possible configuration; your connection configuration can differ.

No.	Description
1	2 x PCIe x4 expansion slot
2	24V DC power input connection
3	UPS connection ⁽¹⁾
4	2 x RVL Out ⁽²⁾
5	DisplayPort++ v1.2

(1) Uninterruptible Power Source, which is a future option.
(2) Remote Video Link, which is a future option.

No.	Description
6	Serial port, RS-232 (DB9M)
7	4 x Ethernet LAN port
8	2 x USB 2.0 (Type A) port
9	2 x USB 3.0 (Type A) port
10	Up to 2 SSD SATA III extractable drawers

No.	Description
11	USB 3.0 (Type A) port
12	Battery slot
13	CFast SATA III card slot
14	Ground (earth) screw

VersaView 6300B-PBCx Performance Wall Mount Box PCs – Fanless

The Allen-Bradley VersaView 6300B-PBCx box PCs with Intel Core processors are fanless and for mid-size applications. These wall mount PCs can be paired with FactoryTalk View SE software to provide the optimal human machine interface (HMI) experience within the Rockwell Automation Connected Enterprise.



Computer Specifications

Total system power consumption cannot exceed 120 W. The following values exclude any externally connected USB devices.

Standard Features		Power Consumption [W], Max
Available processors	• Performance Intel Core i3-7100E • 2.9 GHz • 3 MB smart cache • 2 cores, 4 threads • 1 x 4 GB module DDR4-2400 SODIMM	43 ⁽¹⁾
	• Advanced Intel Core i7-7820EQ • 3 GHz (3.7 GHz Turbo) • 8 MB smart cache • 4 cores, 8 threads • 1 x 4 GB module DDR4-2400 SODIMM	65 ⁽¹⁾
RAM memory	8 GB • 2 x 4 GB modules DDR4-2400 SODIMM	1
	16 GB • 2 x 8 GB modules DDR4-2400 SODIMM	2
	32 GB • 2 x 16 GB modules DDR4-2400 SODIMM	
Internal uninterruptible power supply (UPS)	Without UPS	–
	With UPS integrated in power supply section • Battery kit not included ⁽²⁾	0.7
Expansion slots	No expansion slots	–
	1 x PCIe x4 format (Generation 3) half-size (106 x 175 mm) • On riser card	1.5 ⁽³⁾
	1 x PCI half-size card (106 x 175 mm) • On riser card	
Mounting	Wall; mounting bracket is factory-installed	–
Optional Features		
Trusted Platform Module (TPM)	No TPM	–
	Firmware TPM 2.0 ⁽⁴⁾	0.1
Available solid-state drive (SSD) storage/sizes	No SSD ⁽⁵⁾	–
	2.5 in., SATA III, 3D TLC/128 GB...1 TB mSATA, SATA III, 3D TLC/120...960 GB	3
Available CFast storage/sizes	SATA III, MLC/16 GB...128 GB	1.3
	SATA III, 3D TLC/30...240 GB	
Additional communication ports	1 x RS232/422/485 serial port (DB15M) • 1 x USB 2.0 port ⁽⁶⁾	1
	1 x RS232/422/485 isolated serial port (DB15M) • 1 x USB 2.0 port ⁽⁶⁾	
	2 x RS-232 serial ports (DB9M) ⁽⁶⁾	
	2 x USB 2.0 ports ⁽⁶⁾	
	1 x Ethernet 10/100/1000 Mbps, Intel I210 ⁽⁷⁾	
Long-distance video ⁽⁸⁾	1 x additional video output • Remotation up to 100 m of DVI-D and USB 2.0 signals • Without cables ⁽⁷⁾	2.7
	2 x additional video output • Remotation up to 100 m of DVI-D and USB 2.0 signals • Without cables ⁽⁷⁾	5.4
Power supply ⁽⁸⁾	Kit for ATX mode power supply functionality, which includes an on board button, internal cable, and connector for remote command	–
UPS battery kit ⁽⁸⁾	Battery kit for rear mounting to PC • Cable included	15 ⁽⁹⁾
	Battery kit for detached wall mounting • Cable included	

(1) Power consumption value includes the motherboard.
 (2) UPS functionality is only with Microsoft Windows 32/64 bit operating systems.
 (3) Maximum consumption for all expansion cards is 5 W.
 (4) Not for sale in China and Russia.
 (5) Includes an SSD/hard disk drive (HDD) installation kit that is shipped with the computer.
 (6) These items cannot be ordered together.
 (7) Communication ports with this footnote cannot be installed together. Microsoft Windows 10 can manage only three video outputs.
 (8) Available as a future option.
 (9) This wattage value is based on an external power supply source. All other wattage values are internal.

Computer Specifications (continued)

Technical Specifications	
Overall dimensions	See Computer Dimensions on page 16
Weight, approximate	<ul style="list-style-type: none"> • Only the computer: 4 kg (8.82 lb) • Computer with packaging: 5.3 kg (11.68 lb)
Power supply	24V DC isolated input voltage 18...32V DC
UPS (optional)	12V DC UPS battery backup system Battery module: Pb, 12V/13 A max, 2500 mAh • Charge time 3 h @ 25° C (77 °F) • Discharge time 5 h @ 13 A and 25° C (77 °F) • Lifetime 10 years @ 25° C (77 °F)
Operating System ⁽¹⁾⁽²⁾	<ul style="list-style-type: none"> • Microsoft Windows 10 IoT Enterprise 2019 64 bit • No operating system
Video controller	Intel HD Graphics 630 integrated into Intel Core microprocessor • 950 MHz/1 GHz
Video RAM (shared)	Dynamic Video Memory Technology • Operating system selects memory quantity automatically
System memory	DDR4-2400 type • 2 SODIMM modules • Min 4 GB • Max 32 GB
RAID controller	Integrated into chip Intel HMI75 PCH • Raid 0, 1
Mass storage configurations	<ul style="list-style-type: none"> • 1 x mSATA SSD SATA III and 1 x 2.5 in. SSD SATA III on board • 2 x 2.5 in. SSD SATA III on board
CFast slots	1 x bootable CFast SATA slot on board with external side access
Expansions slots	
Rear access interfaces	See Computer Connections on page 16
Side access interfaces	
Environmental Specifications	
Surrounding air temperature range	0...50 °C (32...122 °F) ⁽³⁾
Storage temperature	-20...+60 °C (-4...+140 °F)
Relative humidity	20...90% noncondensing at 0...40 °C (32...104 °F), and 20...80% noncondensing at 41...50 °C (105...122 °F)
Shock	<ul style="list-style-type: none"> • Operating • Nonoperating
	<ul style="list-style-type: none"> • 5 g (1/4 sine, 11 ms) • 15 g (1/4 sine, 11 ms)
Vibration, operating and nonoperating	0.0015 in. p-p, 10...57 Hz, 0.25 g peak, 57...640 Hz
Ingress protection rating	IP65
Certifications	
Approvals	<ul style="list-style-type: none"> • CE (EN 61010-2-201, EN 61326-1, EN 50581) • cULus Listed (UL 61010-1, UL 61010-2-201, CSA C22.2 No. 61010-1, CSA C22.2, No. 61010-2-201) • Morocco • RCM • UKCA For more information, visit rok.auto/literature and use 6300-CT as your search term.

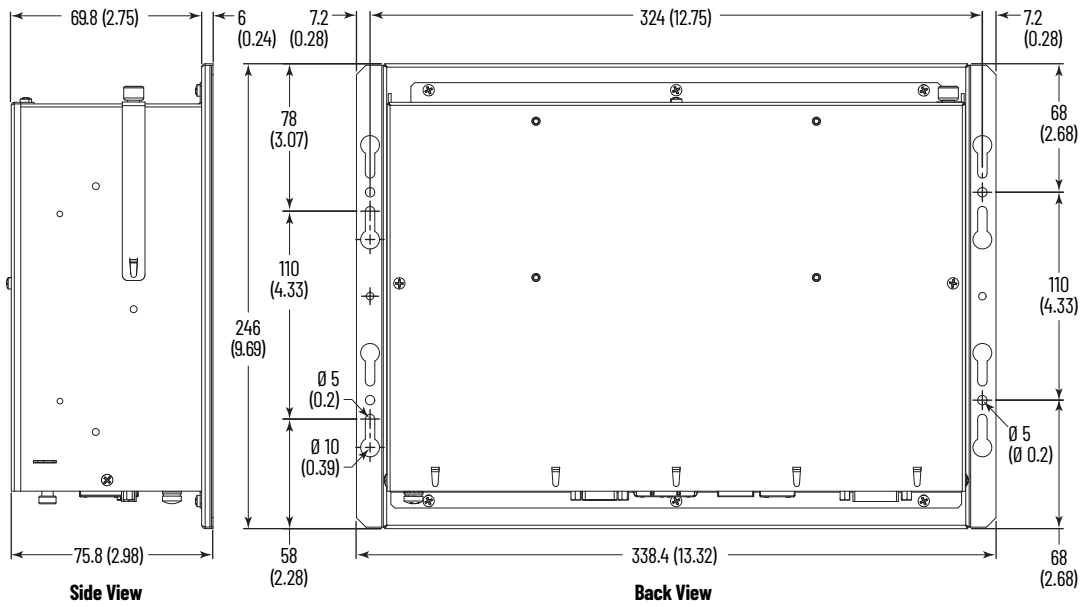
(1) Rockwell Automation has not certified other operating systems such as Linux, Wind River VxWorks, and BlackBerry QNX but the Intel platform supports them after verification of compatibility.

(2) All VersaView 6300B-PBCx wall mount PCs are ThinManager software compatible.

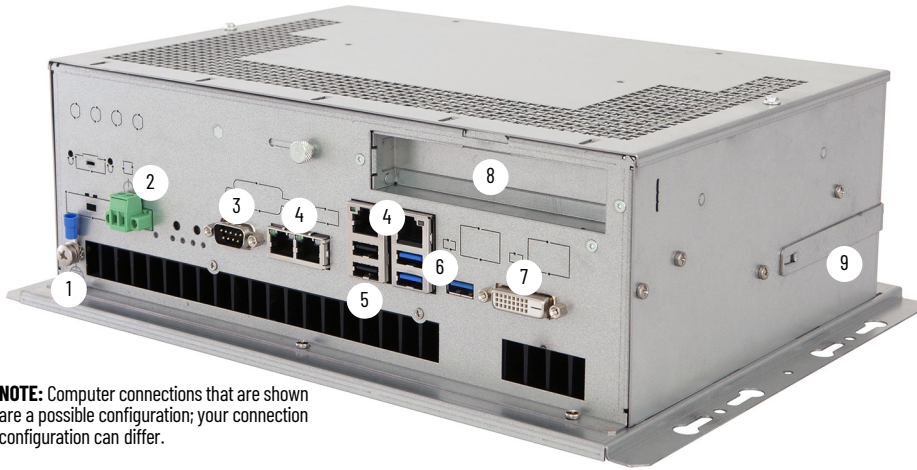
(3) The Intel Core i7 processor throttles above 45 °C (113 °F) when the CPU is heavily loaded.

Computer Dimensions

Dimensions are in millimeters (inches). Dimensions are not intended to be used for manufacturing purposes.



Computer Connections



CFast Slot with Cover Removed

NOTE: Computer connections that are shown are a possible configuration; your connection configuration can differ.

No.	Description
1	Ground screw
2	DC input power connection
3	Serial port, RS-232 (DB9M)

No.	Description
4	4 x Ethernet LAN port, RJ45
5	2 x USB 2.0 port, Type A
6	3 x USB 3.0 port, Type A
7	DVI-D port, full HD

No.	Description
8	PCIe x4 expansion slot
9	CFast card slot
10	2 x 2.5 in. SATA III HDD or SSD drive slot

VersaView 6300B-PBDx Performance and Advanced Wall Mount Box PCs – Fan Cooled

The Allen-Bradley VersaView 6300B-PBDx box PCs with Intel Celeron and Core processors are available for fan-cooled (115...230V AC) applications. These wall mount PCs can be paired with FactoryTalk View SE software to provide the optimal human machine interface (HMI) experience within the Rockwell Automation Connected Enterprise.



Computer Specifications

Total system power consumption cannot exceed 195 W. The following values exclude any externally connected USB devices.

Standard Features		Power Consumption [W], Max
		115...230V AC
Available processors	• Performance	Intel Celeron G3930E • 2.9 GHz • 2 MB smart cache • 2 cores, 2 threads • 1 x 4 GB module DDR4-2400 SODIMM
		Intel Core i3-7101E • 2.9 GHz • 2 MB smart cache • 2 cores, 2 threads • 1 x 4 GB module DDR4-2400 SODIMM
		Intel Core i5-7500 • 3.4 GHz (3.8 GHz Turbo) • 6 MB smart cache • 4 cores, 4 threads • 1 x 4 GB module DDR4-2400 SODIMM
	• Advanced	Intel Core i7-7700 • 3.6 GHz (4.2 GHz Turbo) • 8 MB smart cache • 4 cores, 8 threads • 1 x 4 GB module DDR4-2400 SODIMM
RAM memory		8 GB • 2 x 4 GB modules SODIMM DDR4
		16 GB • 2 x 8 GB modules SODIMM DDR4
		32 GB • 2 x 16 GB modules SODIMM DDR4
Expansion slots		No expansion slots
		1 x PCIe x4 format (Generation 3) half-size (106 x 175 mm) • On riser card
		1 x PCI x16 + 1 x PCIe x4 + 1 x PCIe x1 • On riser card
Mounting	Wall; mounting bracket is factory-installed	–
Optional Features		
Trusted Platform Module (TPM)		No TPM
		Firmware TPM 2.0 ⁽²⁾
Available solid-state drive (SSD) storage/sizes		No SSD ⁽³⁾
		2.5 in., SATA III, 3D TLC/128 GB...1 TB
		mSATA, SATA III, 3D TLC/120...960 GB
		M.2 2242, PCIe x2, 3D TLC/128...512 GB
Available CFast storage/sizes		M.2 2280, NVMe PCIe x4, 3D TLC/256 GB...1 TB
		SATA III, MLC/16 GB...128 GB
Additional communication ports ⁽⁴⁾		SATA III, 3D TLC/30...240 GB
		1 x RS232/422/485 serial port (DB15M) • 1 x USB 2.0 port ⁽⁵⁾
Long-distance video ⁽⁴⁾		1 x RS232/422/485 isolated serial port (DB15M) • 1 x USB 2.0 port ⁽⁵⁾
		2 x RS-232 serial ports (DB9M) ⁽⁵⁾
		2 x USB 2.0 ports ⁽⁵⁾
		1 x Ethernet 10/100/1000 Mbps, Intel I210 ⁽⁶⁾
Power supply ⁽⁴⁾		1 x additional video output • Remotation up to 100 m of DVI-D and USB 2.0 signals • Without cables ⁽⁶⁾
		2 x additional video output • Remotation up to 100 m of DVI-D and USB 2.0 signals • Without cables ⁽⁶⁾
	Kit for ATX mode power supply functionality, which includes an on board button, internal cable, and connector for remote command	–

(1) Maximum consumption for all expansion cards is 5 W.

(2) Not for sale in China and Russia.

(3) Includes an SSD/hard disk drive (HDD) installation kit that is shipped with the computer.

(4) Available as a future option.

(5) These items cannot be ordered together.

(6) Communication ports with this footnote cannot be installed together. Microsoft Windows 10 can manage only three video outputs.

Computer Specifications (continued)

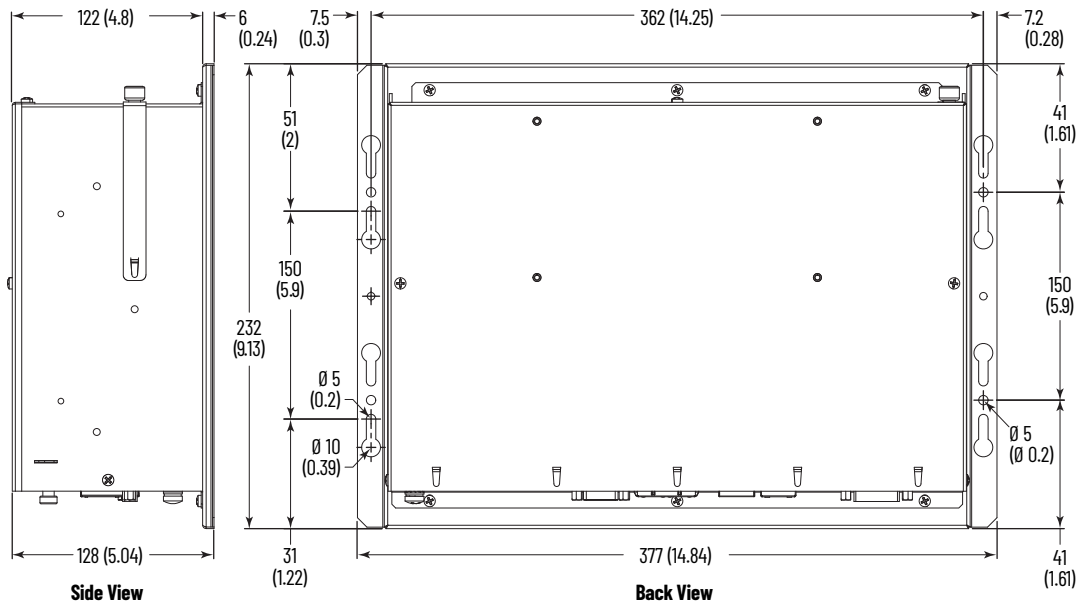
Technical Specifications	
Overall dimensions	See Computer Dimensions on page 19
Weight, approximate	<ul style="list-style-type: none"> Only the computer: 3 kg (8.82 lb) Computer with packaging: 4.7 kg (10.4 lb)
Power supply	115...230V AC autoranging
Operating System ⁽¹⁾	<ul style="list-style-type: none"> Microsoft Windows 10 IoT Enterprise 2019 64 bit No operating system
Video controller	<ul style="list-style-type: none"> Intel HD Graphics 630 integrated into Intel Core i3 and i5 microprocessors • 350 MHz/1.1 GHz Intel HD Graphics 630 integrated into Intel Core i7 microprocessor • 350 MHz/1.15 GHz
Video RAM (shared)	Dynamic Video Memory Technology • Operating system selects memory quantity automatically
System memory	DDR4-2400 type • 2 SODIMM modules • Min 4 GB • Max 32 GB
Mass storage configurations	<ul style="list-style-type: none"> 2 x removable tray for direct insertion of mSATA SSD SATA III 2 x connector on board for 2.5 in. SSD SATA III with internal installation kit
CFast slot	1 x bootable CFast SATA slot on board with external front access
RAID controller	Integrated into chip Intel HM175 PCH • Raid 0, 1
Expansions slots	
Rear access interfaces	See Computer Connections on page 19
Side access interfaces	
Environmental Specifications	
Surrounding air temperature range	0...50 °C (32...122 °F) ⁽²⁾
Storage temperature	-20...+60 °C (-4...+140 °F)
Relative humidity	20...90% noncondensing at 0...40 °C (32...104 °F), and 20...80% noncondensing at 41...50 °C (105...122 °F)
Shock	
<ul style="list-style-type: none"> Operating Nonoperating 	<ul style="list-style-type: none"> 10 g (1/2 sine, 11 ms) 15 g (1/2 sine, 11 ms)
Vibration, operating and nonoperating	0.0015 in. p-p, 10...57 Hz, 0.25 g peak, 57...640 Hz
Ingress protection rating	IP65
Certifications	
Approvals	<ul style="list-style-type: none"> CE (EN 61010-2-201, EN 61326-1, EN 50581) cULus Listed (UL 61010-1, UL 61010-2-201, CSA C22.2 No. 61010-1, CSA C22.2, No. 61010-2-201) Morocco RCM UKCA For more information, visit rok.auto/literature and use 6300-CT as your search term.

(1) Rockwell Automation has not certified other operating systems such as Linux, Wind River VxWorks, and BlackBerry QNX but the Intel platform supports them after verification of compatibility.

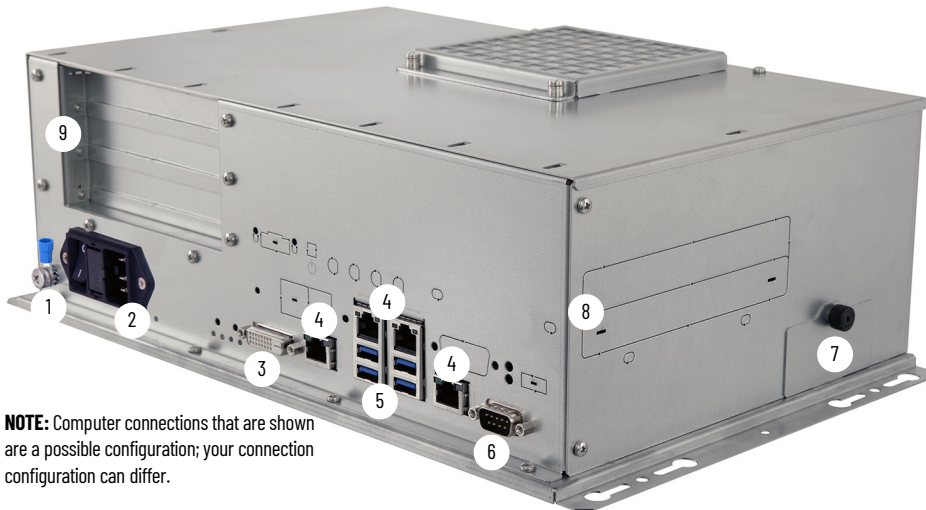
(2) The Intel Core i7 processor throttles above 45 °C (113 °F) when the CPU is heavily loaded.

Computer Dimensions

Dimensions are in millimeters (inches). Dimensions are not intended to be used for manufacturing purposes.



Computer Connections



NOTE: Computer connections that are shown are a possible configuration; your connection configuration can differ.

No.	Description
1	Ground screw
2	AC input power connection
3	DVI-D port, full HD

No.	Description
4	4 x Ethernet LAN port, RJ45
5	4 x USB 3.0 port, Type A
6	Serial port, RS-232 (DB9M)

No.	Description
7	CFast card slot
8	2 x SSD drive slot (optional)
9	3 x PCIe expansion slot

VersaView 6300P Panel PCs

The Allen-Bradley VersaView 6300P panel PCs with seventh generation Intel Core processors are a complete portfolio of open architecture industrial PCs. These panel PCs are available in various display sizes and resolutions, and with either standard or low profile bezel units.

IP65/IP66 (model dependent) environmental protection makes the VersaView 6300P panel PC an excellent match for wash-down applications such as food processing and life sciences. Fanless construction helps provide low maintenance operation and enhance longevity.



Computer Options

The following catalog numbers are available for the VersaView 6300P panel PCs.

Cat. No.	Display Size (in.)	Touch Screen Type	Aspect Ratio	Resolution (W x H)	Luminance, cd/m ²	Bezel Type	Power
6300P-121BAPS...	12.1	Resistive	4:3	1024x768, XGA	400	Standard aluminum	24V DC
6300P-121FAPS...					600		
6300P-150BAPS...	15.0	Resistive	4:3	1024x768, XGA	400	Standard aluminum	
6300P-150FAPS...					500		
6300P-156AAPS...	15.6	Resistive	16:9	1920x1280, FHD	400	Standard aluminum	
6300P-156ACPM...		PCAP				Aluminum-glass True Flat	
6300P-156ECPM...						Aluminum-glass True Flat	
6300P-170BAPS...	17.0	Resistive	5:4	1280x1024, SXGA	350	Standard aluminum	
6300P-170FAPS...						Standard aluminum	
6300P-185AAPS...	18.5	Resistive	16:9	1920x1080, FHD	500	Standard aluminum	
6300P-185ACPM...		PCAP				Aluminum-glass True Flat	
6300P-185ECPM...						Aluminum-glass True Flat	
6300P-190BAPS...	19.0	Resistive	5:4	1280x1024, SXGA	350	Standard aluminum	
6300P-190FAPS...		PCAP				Standard aluminum	
6300P-215AAPS...	21.5	Resistive	16:9	1920x1080, FHD	300	Standard aluminum	
6300P-215ACPM...		PCAP				Aluminum-glass True Flat	
6300P-215ECPM...						Aluminum-glass True Flat	
6300P-240AAPS...	24	Resistive	16:9	1920x1080, FHD	300	Standard aluminum	
6300P-240ACPM...		PCAP				Aluminum-glass True Flat	

Computer Specifications

Total system power consumption cannot exceed 120 W. The following values exclude any externally connected USB devices.

Standard Features	Cat. No. 6300P-***					Power Consumption [W], Max	
	FAPS	ECPM	BAPS	AAPS	ACPM		
Available processors							
• Compact		•	•			43 ⁽¹⁾	
• Performance			•	•	•		
	Intel Celeron G3900E • 2.4 GHz • 2 MB L2 cache • 2 cores, 2 threads • 1 x 4 GB module DDR4-2133 SODIMM						
	Intel Core i3-7100E • 2.9 GHz • 3 MB smart cache • 2 cores, 4 threads • 1 x 4 GB module DDR4-2400 SODIMM			•	•	61 ⁽¹⁾	
• Advanced			•	•	•	65 ⁽¹⁾	
	Intel Core i5-7440EQ • 2.9 GHz (3.6 GHz Turbo) • 6 MB smart cache • 4 cores, 4 threads • 1 x 4 GB module DDR4-2400 SODIMM			•	•		
	Intel Core i7-7820EQ • 3 GHz (3.7 GHz Turbo) • 8 MB smart cache • 4 cores, 8 threads • 1 x 4 GB module DDR4-2400 SODIMM			•	•		
RAM memory	8 GB • 2 x 4 GB modules DDR SODIMM	•	•	•	•	1	
	16 GB • 2 x 8 GB modules DDR4 SODIMM	•	•	•	•	2	
	32 GB • 2 x 16 GB modules DDR4 SODIMM			•	•		
Available displays and touch screens	• Display: 12.1-inch LCD TFT 4:3 • XGA, 1024x768, 16 million colors • LED backlight, 450 cd/m ² • Viewing angle in degrees, L:R/U:L (typical): 89:89/89:89 • Touch screen: 5-wire resistive technology • Controller integrated on board	•				12	
	• Display: 12.1-inch widescreen LCD TFT 16:10 • WXGA, 1280x800, 16 million colors • LED backlight, 400 cd/m ² • Viewing angle in degrees, L:R/U:L (typical): 88:88/88:88 • Touch screen: 5-wire resistive technology or PCAP multi-touch • Controller integrated on board			•		8	
	• Display: 15-inch LCD TFT 4:3 • XGA, 1024x768, 16 million colors • LED backlight, 500 cd/m ² • Viewing angle in degrees, L:R/U:L (typical): 85:85/85:85 • Touch screen: 5-wire resistive technology • Controller integrated on board	•		•		13	
	• Display: 15.6-inch widescreen LCD TFT 16:9 • 1920x1080 (FHD), 16 million colors • LED backlight, 400 cd/m ² • Viewing angle in degrees, L:R/U:L (typical): 85:85/85:85 • Touch screen: 5-wire resistive technology or PCAP multi-touch • Controller integrated on board				•	•	24
	• Display: 17-inch LCD TFT 5:4 • SXGA, 1280x1024, 16 million colors • LED backlight, 350 cd/m ² • Viewing angle in degrees, L:R/U:L (typical): 85:85/80:80 • Touch screen: 5-wire resistive technology • Controller integrated on board	•		•	•	17	
	• Display: 18.5-inch widescreen LCD TFT 16:9 • 1920x1080 (FHD), 16 million colors • LED backlight, 500 cd/m ² • Viewing angle in degrees, L:R/U:L (typical): 89:89/89:89 • Touch screen: 5-wire resistive technology or PCAP multi-touch • Controller integrated on board				•	•	24
	• Display: 19-inch LCD TFT 5:4 • SXGA 1280x1024, 16 million colors • LED backlight, 350 cd/m ² • Viewing angle in degrees, L:R/U:L (typical): 85:85/85:85 • Touch screen: 5-wire resistive technology • Controller integrated on board	•		•		17	
	• Display: 21.5-inch widescreen LCD TFT 16:9 • 1920x1080 (FHD), 16 million colors • LED backlight, 300 cd/m ² • Viewing angle in degrees, L:R/U:L (typical): 89:89/89:89 • Touch screen: 5-wire resistive technology or PCAP multi-touch • Controller integrated on board				•	•	22
	• Display: 24-inch widescreen LCD TFT 16:9 • 1920x1080 (FHD), 16 million colors • LED backlight, 300 cd/m ² • Viewing angle in degrees, L:R/U:L (typical): 89:89/89:89 • Touch screen: 5-wire resistive technology or PCAP multi-touch • Controller integrated on board				•	•	16
	• Display: 24-inch widescreen LCD TFT 16:9 • 1920x1080 (FHD), 16 million colors • LED backlight, 300 cd/m ² • Viewing angle in degrees, L:R/U:L (typical): 89:89/89:89 • Touch screen: 5-wire resistive technology or PCAP multi-touch • Controller integrated on board				•	•	16
Bezel material type	Standard aluminum	•		•	•	—	
	Aluminum-glass True Flat		•		•		
Branding	No brand	•	•	•	•	—	
	Allen-Bradley logo	•	•	•	•		
Internal uninterruptible power supply (UPS)	Without UPS	•	•	•	•	—	
	With UPS integrated in power supply section • Battery kit not included ⁽²⁾	•	•	•	•	0.7	
Expansion slots	No expansion slots	•	•	•	•	—	
	1 x PCIe x4 format (Generation 3) half-size (106 x 175 mm) • On riser card		•	•	•	1.5 ⁽³⁾	
Mounting	Panel; mounting bracket is factory-installed and mounting clips are provided	•	•	•	•	—	

(1) Power consumption value includes the motherboard.

(2) UPS functionality is only with Microsoft Windows 32/64 bit operating systems.

(3) Maximum consumption for all expansion cards is 5 W.

Computer Specifications (continued)

Optional Features		Cat. No. 6300P-***					Power Consumption [W], Max
		FAPS	ECPM	BAPS	AAPS	ACPM	
Trusted Platform Module (TPM)	No TPM	•	•	•	•	•	—
	Firmware TPM 2.0 ⁽¹⁾	•	•	•	•	•	0.1
Solid-state drive (SSD) mSATA	SSD on mSATA connector on board, SATA	•	•	•	•	•	2
Available solid-state drive (SSD) storage/sizes	No SSD ⁽²⁾	•	•	•	•	•	—
	2.5 in., SATA III, 3D TLC/128 GB...1 TB	•	•	•	•	•	3
	mSATA, SATA III, 3D TLC/120...960 GB	•	•	•	•	•	
Available CFast storage/sizes	SATA III, MLC/16 GB...128 GB	•	•	•	•	•	1.3
	SATA III, 3D TLC/30...240 GB	•	•	•	•	•	
Additional communication ports ⁽³⁾	1 x RS232/422/485 serial port (DB15M) • 1 x USB 2.0 port ⁽⁴⁾	•	•	•	•	•	0.7
	1 x RS232/422/485 isolated serial port (DB15M) • 1 x USB 2.0 port ⁽⁴⁾	•	•	•	•	•	1
	2 x RS-232 serial ports (DB9M) ⁽⁴⁾	•	•	•	•	•	
	2 x USB 2.0 ports ⁽⁴⁾	•	•	•	•	•	
	1 x Ethernet 10/100/1000 Mbps, Intel I210 ⁽⁵⁾	•	•	•	•	•	
Long-distance video ⁽⁴⁾	1 x additional video output • Remotation up to 100 m of DVI-D and USB 2.0 signals • Without cables ⁽⁵⁾	•	•	•	•	•	2.7
	2 x additional video output • Remotation up to 100 m of DVI-D and USB 2.0 signals • Without cables ⁽⁵⁾	•	•	•	•	•	5.4
Power supply ⁽⁴⁾	Kit for ATX mode power supply functionality, which includes an on board button, internal cable, and connector for remote command	•	•	•	•	•	—
UPS battery kit ⁽⁴⁾	Battery kit for rear mounting to PC • Cable included	•	•	•	•	•	15 ⁽⁶⁾
	Battery kit for detached wall mounting • Cable included	•	•	•	•	•	

(1) Not for sale in China and Russia.

(2) Includes an SSD/hard disk drive (HDD) installation kit that is shipped with the computer.

(3) Available as a future option.

(4) These items cannot be ordered together.

(5) Communication ports with this footnote cannot be installed together. Microsoft Windows 10 can manage only three video outputs.

(6) This wattage value is based on an external power supply source. All other wattage values are internal.

Technical Specifications		Cat. No. 6300P-***				
		FAPS	ECPM	BAPS	AAPS	ACPM
Overall dimensions	See Computer Dimensions on page 24	•	•	•	•	•
Weight, approximate	See Computer Weights on page 23	•	•	•	•	•
Frontal protection	IP65	•	•	•	•	•
Power supply	24V DC isolated • Input voltage: 18...32V DC • ATX mode push button (optional)	•	•	•	•	•
UPS (optional)	12V DC UPS battery backup system	•	•	•	•	•
	Battery module: Pb, 12V/13 A max, 2500 mAh • Charge time 3 h @ 25° C (77 °F) • Discharge time 5 h @ 13 A and 25° C (77 °F) • Lifetime 10 years @ 25° C (77 °F)	•	•	•	•	•
Operating System ⁽¹⁾	• Microsoft Windows 10 IoT Enterprise 2019 64 bit	•	•	•	•	•
	• No operating system	•	•	•	•	•
Video controller	Intel HD Graphics 510 integrated into Intel Celeron microprocessor • 950 MHz	•	•			
	Intel HD Graphics 530 integrated into Intel Core microprocessor • 950 MHz/1 GHz	•	•			
	Intel HD Graphics 630 integrated into Intel Core microprocessor • 950 MHz/1 GHz			•	•	•
Video RAM (shared)	Dynamic Video Memory Technology • Operating system selects memory quantity automatically	•	•	•	•	•

(1) Capable of supporting the Linux operating system. Rockwell Automation has not certified other operating systems such as Wind River VxWorks and BlackBerry QNX but they are supported by the Intel platform after verification of compatibility.

Technical Specifications continue on the next page.

Computer Specifications (continued)

Technical Specifications (continued)		Cat. No. 6300P-***				
		FAPS	ECPM	BAPS	AAPS	ACPM
System memory	DDR4-2133 type • 2 SODIMM modules • Min 8 GB • Max 16 GB	•	•			
	DDR4-2400 type • 2 SODIMM modules • Min 8 GB • Max 32 GB			•	•	•
RAID controller	Integrated into chip Intel HM170 PCH • Raid 0, 1	•	•			
	Integrated into chip Intel HM175 PCH • Raid 0, 1			•	•	•
Mass storage configurations	• 1 x connector on board for direct insertion of mSATA SSD SATA III • 1 x connector on board for 2.5 in. SSD SATA III with internal installation kit	•	•	•	•	•
CFast slot	1 x bootable CFast SATA slot on board with external front access	•	•	•	•	•
Bus expansions slots	See Computer Connections on page 25					
Rear access interfaces		•	•	•	•	•
Side access interfaces						
Top access interfaces						
Environmental Specifications						
Surrounding air temperature range	0...50° C (32...122 °F) ⁽¹⁾					
Storage temperature	-20...+60°C (-4...+140 °F)					
Relative humidity	20...90% noncondensing at 0...40 °C (32...104 °F), and 20...80% noncondensing at 41...50 °C (105...122 °F)					
Shock	• 10 g (1/2 sine, 11 ms) • 15 g (1/2 sine, 11 ms)	•	•	•	•	•
Vibration, operating and non-operating		0.0015 in. p-p, 10...57 Hz, 0.25 g peak, 57...640 Hz				
Ingress protection rating	IP65	•	•	•	•	•
Certifications						
Approvals	• CE (EN 61010-2-201, EN 61326-1, EN 50581) • cULus Listed (UL 61010-1, UL 61010-2-201, CSA C22.2 No. 61010-1, CSA C22.2, No. 61010-2-201) • Morocco • RCM • UKCA For more information, visit rok.auto/literature and use 6300-CT as your search term.	•	•	•	•	•

(1) The Intel Core i7 processor throttles above 45 °C (113 °F) when the CPU is heavily loaded.

Computer Weights

Weights are in kg (lb).

Computer Cat. No.		Display Sizes (in.), All Bezel Types								
		12.1, S ⁽¹⁾	12.1, W ⁽¹⁾	15	15.6	17	18.5	19	21.5	24
6300P-***FAPS	Without packaging	5.8 (12.8)	—	6.9 (15.2)	—	8.2 (18.1)	—	8.7 (19.2)	—	—
	With packaging	7.1 (15.7)	—	8.6 (19)	—	10.2 (22.5)	—	10.9 (24)	—	—
6300P-***ECPM	Without packaging	—	—	—	6.4 (14.1)	—	7.7 (17)	—	8.8 (19.4)	10 (22)
	With packaging	—	—	—	7.5 (16.5)	—	9.3 (20.5)	—	10.7 (23.6)	12.1 (26.7)
6300P-***BAPS	Without packaging	5.8 (12.8)	—	6.9 (15.2)	—	8.2 (18.1)	—	8.7 (19.2)	—	—
	With packaging	7.1 (15.7)	—	8.6 (19)	—	10.2 (22.5)	—	10.9 (24)	—	—
6300P-***AAPS	Without packaging	—	—	—	6.4 (14.1)	—	7.7 (17)	—	8.8 (19.4)	10 (22)
	With packaging	—	—	—	7.5 (16.5)	—	9.3 (20.5)	—	10.7 (23.6)	12.1 (26.7)
6300P-***ACPM	Without packaging	—	—	—	6.4 (14.1)	—	7.7 (17)	—	8.8 (19.4)	10 (22)
	With packaging	—	—	—	7.5 (16.5)	—	9.3 (20.5)	—	10.7 (23.6)	12.1 (26.7)

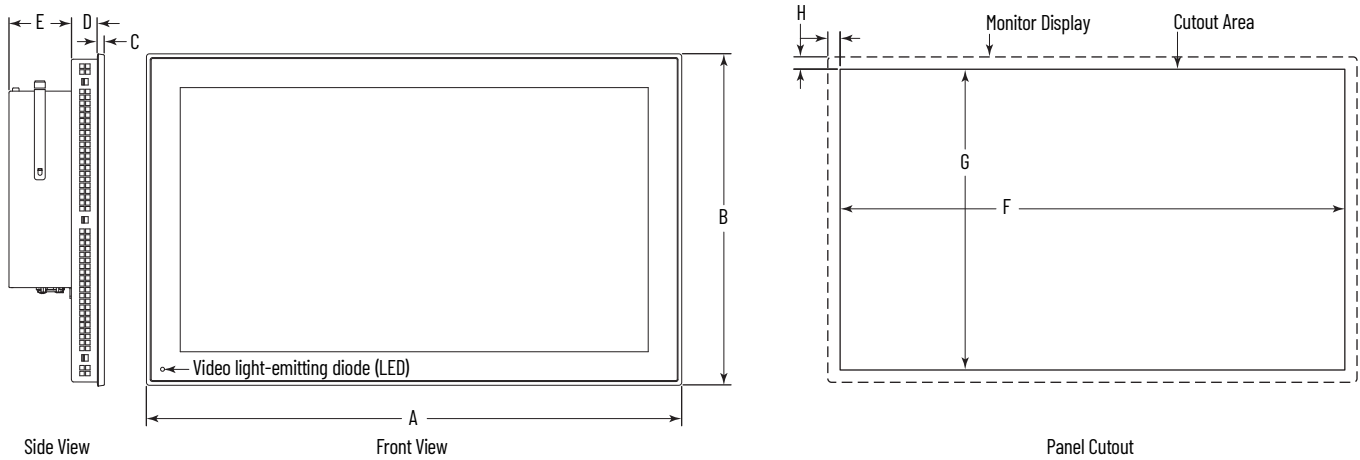
(1) S = Standard format; W = Widescreen format.

Computer Dimensions

Dimensions are in millimeters (inches). Dimensions are not intended to be used for manufacturing purposes.



Cat. No. 6300P-240ACPM... with a low profile bezel is shown only for illustrative purposes.



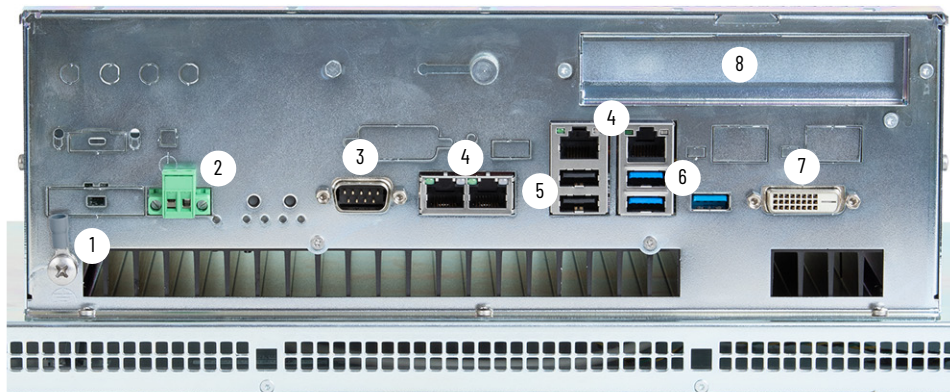
Cat. No.	Display Size, in.	Format ⁽¹⁾	Panel PC					Panel Cutout		
			A	B	C	D	E	F ⁽²⁾	G ⁽²⁾	H
6300P-121BAPS...	12.1	S1	335 (13.2)	270 (10.62)	5 (0.2)	19 (0.75)	100 (3.94)	315 (12.4)	250 (9.84)	10 (0.39)
6300P-121FAPS...							70 (2.76)			
6300P-150BAPS...	15	S1	390 (15.35)	315 (12.4)	6 (0.24)	19 (0.75)	100 (3.94)	370 (14.57)	295 (11.61)	10 (0.39)
6300P-150FAPS...							70 (2.76)			
6300P-156AAPS...	15.6	W1	395.5 (15.57)	245 (9.65)	6 (0.24)	24 (0.95)	100 (3.94)	387.5 (15.26)	237.5 (9.35)	4 (0.16)
6300P-156ACPM...		W2					70 (2.76)			
6300P-156ECPM...							70 (2.76)			
6300P-170BAPS...	17	S1	455 (17.91)	355 (14)	6 (0.24)	21 (0.83)	100 (3.94)	435 (17.13)	335 (13.19)	10 (0.39)
6300P-170FAPS...							70 (2.76)			
6300P-185AAPS...	18.5	W1	461 (18.15)	282 (11.1)	6 (0.24)	24 (0.95)	100 (3.94)	453 (17.83)	274.5 (10.81)	4 (0.16)
6300P-185ACPM...		W2					70 (2.76)			
6300P-185ECPM...							70 (2.76)			
6300P-190BAPS...	19	S1	490 (19.29)	388 (15.28)	6 (0.24)	23 (0.91)	100 (3.94)	470 (18.5)	368 (14.49)	10 (0.39)
6300P-190FAPS...							70 (2.76)			
6300P-215AAPS...	21.5	W1	528 (20.79)	319.5 (12.58)	6 (0.24)	24 (0.95)	100 (3.94)	520 (20.47)	312 (12.28)	4 (0.16)
6300P-215ACPM...		W2					70 (2.76)			
6300P-215ECPM...							70 (2.76)			
6300P-240AAPS...	24	W1	584 (23)	352 (13.86)	6 (0.24)	24 (0.95)	100	576 (22.68)	344.5 (13.56)	4 (0.16)
6300P-240ACPM...		W2								

(1) S = standard and W = widescreen; 1 = single touch and 2 = multi-touch. For aspect ratios, see [Computer Options on page 20](#).

(2) Dimensions are +0/-1 mm (0.04 in.).

Computer Connections

Bottom of Computer



Top of Computer



Front Bezel



Side of Computer



NOTE: Computer connections that are shown are a possible configuration; your connection configuration can differ.

No.	Description
1	Ground screw
2	DC power connection
3	Serial COM port, RS-232
4	4 x Ethernet LAN port
5	2 x USB 2.0 port
6	3 x USB 3.0 port

No.	Description
7	DVI-D port
8	PCI/PCIe expansion card slot
9	2 x 2.5 in. SATA III HDD or SSD drive slot
10	USB 2.0 port ⁽¹⁾
11	CFAST card slot

(1) The USB port is only available on VersaView 6300P panel PCs with standard profile aluminum bezels.

VersaView 6300T-BAx1 Compact Box Thin Clients

The Allen-Bradley VersaView 6300T-BAx1 compact box thin clients have a fanless design, which is optimal for applications that require low maintenance. This compact thin client features Intel Atom (Apollo Lake) processors. All VersaView 6300T thin clients are ThinManager software ready, which means they are shipped without storage drives or operating systems.



Thin Client Specifications

Total system power consumption cannot exceed 24 W. The following values exclude any externally connected USB devices.

Standard Features		Power Consumption [W], Max
Available processors and RAM memory	• Processor: Intel Atom x7-E3950 • 1.6 GHz (2 GHz Burst) • 2 MB smart cache • 4 cores, 4 threads • Soldered on board	11.9 ⁽¹⁾
Expansion slots	No expansion slots	—
Mounting	• Book • DIN Rail • Wall	—
Optional Features		
DisplayPort™/DVI cables and adapters ⁽²⁾	Two-cable kit, both 5 m (16.4 ft) long: • Passive DisplayPort-to-DVI-D adapter cable with ferrite beads • Passive DisplayPort-to-USB 2.0 adapter cable with ferrite beads	—
Technical Specifications		
Overall dimensions	See Thin Client Dimensions and Connections on page 27	
Weight, approximate	• Only the thin client ⁽³⁾ : 0.4 kg (0.88 lb) • Thin client with packaging: 0.6 kg (1.32 lb)	
Power supply	24V DC isolated • Input voltage: 18...32V DC	
Operating System	• No Microsoft Windows operating system • ThinManager software ready	
Video controller	Intel HD Graphics 505 integrated into Intel Atom x7-E3950 microprocessor • 500 MHz/650 MHz	
Video RAM (shared)	Dynamic Video Memory Technology • Memory quantity is selected automatically by the operating system	
System memory	LP-DDR4-2400 type • 1 module • 4 GB	
Mass storage	No mass storage	
Front signaling LEDs	Power ON • SSD activity ⁽⁴⁾ • Over temperature/battery fault • Watchdog	
Front buttons	System reset • Watchdog reset	
Front access interfaces	• 2 x Ethernet 10/100/1000 Mbps (RJ45) • 2 x Intel I210 • 2 x USB 3.0 (Type A) • 1 x DisplayPort™+++ v1.2 (max resolution: 4096x2160 @ 60 Hz)	

(1) Power consumption value includes the motherboard.

(2) Available as a future accessory.

(3) Weight applies to the VersaView 6300T book mount box thin client with any mounting bracket installed.

(4) Since there is no storage in VersaView 6300T book mount box thin clients, this LED is not active.

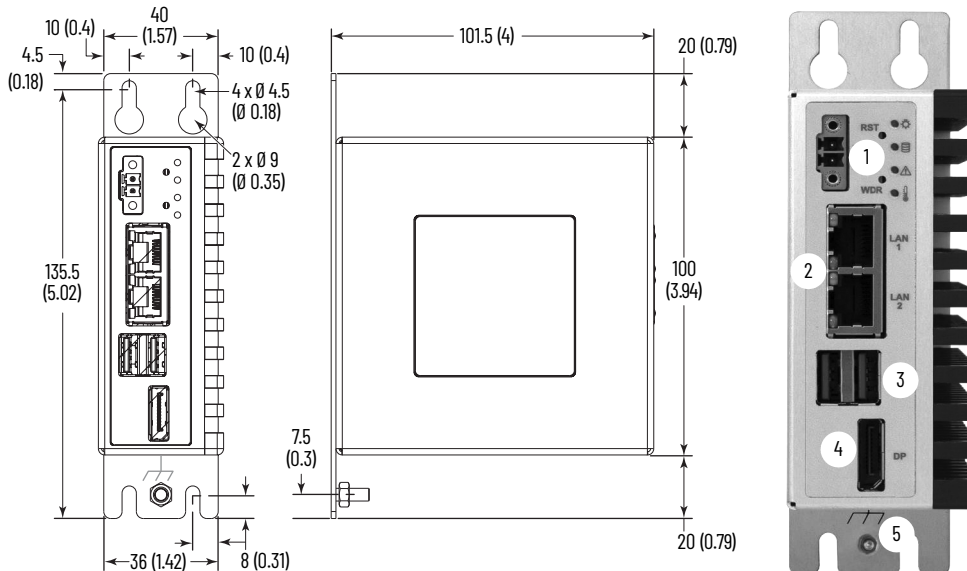
Thin Client Specifications (continued)

Environmental Specifications	
Surrounding air temperature range	0...50° C (32...122 °F) for Intel Atom x7-E3950 processor
Storage temperature	-10...+60° C (14...140 °F)
Relative humidity	20...90% noncondensing at 0...40 °C (32...104 °F), and 20...80% noncondensing at 41...50 °C (105...122 °F)
Shock, operating/non-operating ⁽¹⁾	<ul style="list-style-type: none"> • Book mount • Wall mount
Vibration, operating and nonoperating	0.012 in. p-p, 10...57 Hz, 2 g peak, 57...640 Hz
Certifications	
Approvals	<ul style="list-style-type: none"> • CE (EN 61010-2-201, EN 61326-1, EN 50581) • cULus Listed (UL 61010-1, UL 61010-2-201, CSA C22.2 No. 61010-1, CSA C22.2, No. 61010-2-201) • Morocco • RCM • UKCA For more information, visit rok.auto/literature and use 6300-CT as your search term.

(1) The DIN Rail mounting method is not recommended for high shock environments.

Thin Client Dimensions and Connections

Dimensions are in millimeters (inches). Dimensions are not intended to be used for manufacturing purposes.



No.	Description
1	24V DC power input connection
2	2 x Ethernet LAN port
3	2 x USB 3.0 (Type A) port
4	DisplayPort video output
5	Ground (earth) screw

Additional Resources

These documents contain additional information about related products from Rockwell Automation.

Resource	Description
Visualization Solutions Selection Guide, publication VIEW-SG001	Provides an overview of the visualization products, which includes catalog number selections.
VersaView® 6300B Book Mount Box PCs and 6300T Book Mount Box Thin Client User Manual, publication 6300B-UM001	Provides information to install, make connections, operate, and troubleshoot VersaView 6300B compact box PCs and compact box thin clients.
VersaView 6300B Wall Mount Box PCs User Manual, publication 6300B-UM002	Provides information to install, make connections, operate, and troubleshoot VersaView 6300B wall mount box PCs.
VersaView 6300P Panel PCs User Manual, publication 6300P-UM001	Provides information to install, make connections, operate, and troubleshoot VersaView 6300P panel PCs.
Industrial Automation Wiring and Grounding Guidelines, publication 1770-4.1	Provides general guidelines for installing a Rockwell Automation® industrial system.
Product Certifications website, rok.auto/certifications	Provides declarations of conformity, certificates, and other certification details.
ROK Automation YouTube site, https://www.youtube.com/user/ROKAutomation	Provides informative videos on Rockwell Automation industrial computers and monitors, ThinManager® software, and Rockwell Automation software.

You can view or download publications at rok.auto/literature.

Rockwell Automation Support

Use these resources to access support information.

Technical Support Center	Find help with how-to videos, FAQs, chat, user forums, and product notification updates.	rok.auto/support
Knowledgebase	Access Knowledgebase articles.	rok.auto/knowledgebase
Local Technical Support Phone Numbers	Locate the telephone number for your country.	rok.auto/phonesupport
Literature Library	Find installation instructions, manuals, brochures, and technical data publications.	rok.auto/literature
Product Compatibility and Download Center (PCDC)	Download firmware, associated files (such as AOP, EDS, and DTM), and access product release notes.	rok.auto/pcdc

Documentation Feedback

Your comments help us serve your documentation needs better. If you have any suggestions on how to improve our content, complete the form at rok.auto/docfeedback.





Allen-Bradley, expanding human possibility, FactoryTalk, Rockwell Automation, ThinManager, and VersaView are trademarks of Rockwell Automation, Inc.

Microsoft and Windows are trademarks of Microsoft Corporation.

Trademarks not belonging to Rockwell Automation are property of their respective companies.

Rockwell Automation maintains current product environmental compliance information on its website at rok.auto/pec.

Rockwell Otomasyon Ticaret A.Ş. Kar Plaza İş Merkezi E Blok Kat:6 34752, İçerenköy, İstanbul, Tel: +90 (216) 5698400 EEE Yönetmeliğine Uygundur

Connect with us.    

rockwellautomation.com — expanding human possibility™

AMERICAS: Rockwell Automation, 1201 South Second Street, Milwaukee, WI 53204-2496 USA, Tel: (1) 414.382.2000, Fax: (1) 414.382.4444

EUROPE/MIDDLE EAST/AFRICA: Rockwell Automation NV, Pegasus Park, De Kleetlaan 12a, 1831 Diegem, Belgium, Tel: (32) 2 663 0600, Fax: (32) 2 663 0640

ASIA PACIFIC: Rockwell Automation, Level 14, Core F, Cyberport 3, 100 Cyberport Road, Hong Kong, Tel: (852) 2887 4788, Fax: (852) 2508 1846